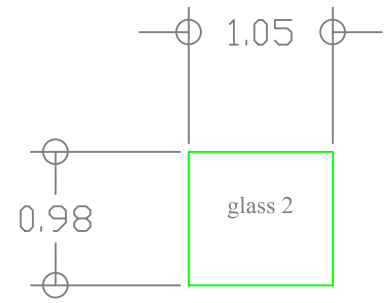




SHEEL PLAN
SC : 1/25



GLASS SIZE
SC : 1/25

Confirmation	Rvisions	Date	Vesion
Mr. Koleila		1395/01/28	1.00.2
Draw & Computation:	Employer:		
Technical Office	KARGAH FANI FELEZI MOOSAVI		
CONTROL:	Project Title :		
FARA SAZE APADANA CO.	MOVEABLE VOID ROOF		
Sheet Title :		Sheet No. :	
STRUCTURE PLAN		S-4	

